

DESCRIPTION - SEMCO's ATT09 is an analog transmitter that is ideal for airborne and other transmitter applications requiring PCM/FM modulation. The transmitter's design combines small size (9 cubic inches) with excellent size to output power ratios. The transmitter provides for S-band frequency selection from 2200.5 to 2399.5 MHz. It is AC-coupled with an efficient maximum power draw of 900 mA at 28 VDC.



ATT-09EBA502-SM40 SPECIFICATIONS

RF OUTPUT	
CARRIER FREQUENCY:	2200.5 to 2399.5 (SINGLE FREQUENCY)
CARRIER STABILITY:	Within $\pm 0.002\%$ over -20°C to $+71^{\circ}\text{C}$
LOCK UP TIME:	Less than 1 Second
POWER:	5 Watts Minimum
VSWR:	1.5:1 Maximum
IMPEDANCE:	50 Ohms Nominal
LOADING:	Normal Operation into any Load VSWR and Phase Angle
OPEN/SHORT PROTECTION:	Internal Isolator
HARMONIC & SPURIOUS LEVEL:	-25 dBm Maximum
EMI:	Per Latest IRIG Specifications
TM MODULATION INPUT	
TYPE:	True FM, Positive Sense, AC Coupled
FREQUENCY RESPONSE:	100 Hz to 2.0 MHz ± 1.5 dB
PEAK DEVIATION:	± 2.0 MHz Maximum
DEVIATION SENSITIVITY:	Factory set at 1 MHz/2 VRMS
HARMONIC DISTORTION	2.0% Maximum for ± 1.0 MHz Deviation
INCIDENTAL AM:	5% Maximum
INCIDENTAL FM:	10 KHz RMS Maximum
INPUT IMPEDANCE:	10 K Ω Minimum

POWER REQUIREMENTS	
INPUT VOLTAGE:	+28 ± 4 VDC: Reverse Polarity Protected
INPUT OVERVOLTAGE:	+40 VDC for 10 Milliseconds Maximum
INPUT CURRENT:	900 Milliamps Maximum

ENVIRONMENTAL SPECIFICATIONS	
TEMPERATURE:	Operating: -40° to $+71^{\circ}\text{C}$; Storage: -54°C to $+125^{\circ}\text{C}$
VIBRATION:	14 G's, Random, Standard Haystack, 20 Hz to 2 KHz, 3 Axes
SHOCK:	1/2 Sine, 100 G's Pk, 11 mS, 3 Axes
ACCELERATION:	100 G's, 3 Axes
ALTITUDE:	Unlimited
HUMIDITY:	To 95% at any Temperature forming Frost or Condensation

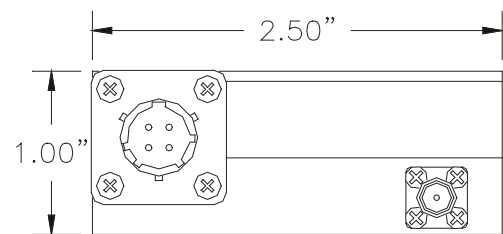
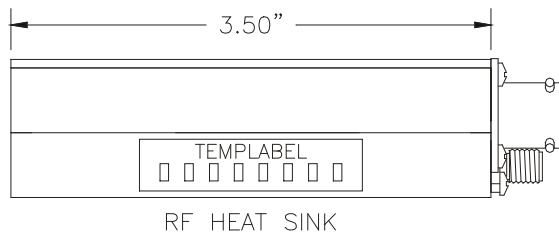
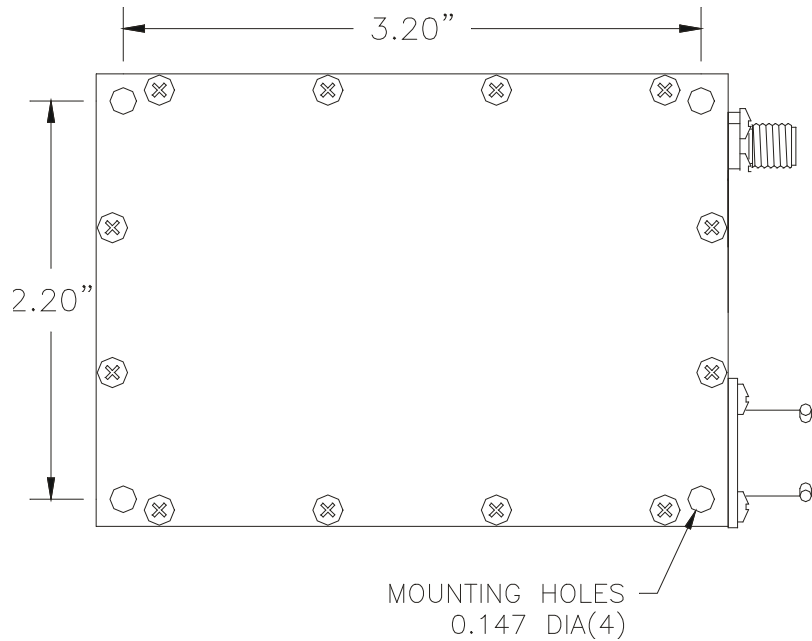
PHYSICAL CHARACTERISTICS	
DIMENSIONS:	Per Outline Drawing
Weight:	400 Grams (Maximum)

Systems Engineering & Management Co.
1430 Vantage Court
Vista, CA 92081-8596

(800) 995-0636, ext. 1125
(760) 727-5200 (fax)
www.semco.com



OUTLINE DRAWING / DIMENSIONS



Protected by one or more of the following patents:

US: 5,097,230, 5,311,152, 5,426,466, 6,404,292, 6,411,237, 6,417,738, 6,650,180, 6,683,499, 6,690,238, 6,747,517, 6,771,133, 6,900,696, 6,922,106, 7,190,229, 7,936,218 and 8,188,794.

Canadian: 2,033,861, 2,033,878, 2,080,013, 2,111,486, 2,235,091, 2,299,133, 2,306,977, 2,308,209, 2,313,132, 2,374,784, 2,374,794, 2,420,710 and 2,432,778.

Other US and Canadian patents pending

Systems Engineering & Management Co.
1430 Vantage Court
Vista, CA 92081-8596

(800) 995-0636, ext. 1125
(760) 727-5200 (fax)

www.semco.com



ATT-09EBA502-SM40 SPECIFICATIONS

Protected by one or more of the following patents:

US: 5,097,230, 5,311,152, 5,426,466, 6,404,292, 6,411,237, 6,417,738, 6,650,180, 6,683,499, 6,690,238, 6,747,517, 6,771,133, 6,900,696, 6,922,106, 7,190,229, 7,936,218 and 8,188,794.

Canadian: 2,033,861, 2,033,878, 2,080,013, 2,111,486, 2,235,091, 2,299,133, 2,306,977, 2,308,209, 2,313,132, 2,374,784, 2,374,794, 2,420,710 and 2,432,778.

Other US and Canadian patents pending

Systems Engineering & Management Co.
1430 Vantage Court
Vista, CA 92081-8596

(800) 995-0636, ext. 1125
(760) 727-5200 (fax)

www.semco.com

